

*Pictured above: Custom 18' X 18' Compstone Pergola
Note: Waterfall bar not included*

Outdoor Living

Pergola Assembly Guide 16' X 16'

Pergola Instruction Manual

Contents

| | |
|--|----|
| Introduction & Overview— | 3 |
| Materials Overview— | 4 |
| Materials Breakdown— | 5 |
| Additional Tools & Materials (Not Included)— | 6 |
| Wood Post Layout & Installation— | 7 |
| Wood Post Layout & Installation for Existing Concrete Pads — | 8 |
| Column Assembly & Installation— | 9 |
| Beam Installation— | 10 |



Pergola as Shipped

Introduction & Overview



Getting Started

Thank you for purchasing a Houzz Pergola Kit. Our UV protected and sealed materials are maintenance free. The following is our recommendations for receiving and installing your new Pergola. This kit is designed to be installed by at least two people that have basic carpentry knowledge. This kit is shipped in foam for easy unpacking as well as protecting the pergola. Keep your hands clean when handling parts.

Planning and Preparing

If you have determined there is no damage to the pergola: unload the unit, using a forklift or unload the kit piece by piece. Keep the protective wrapping on the pergola parts, this will make them more manageable and protected from damage. You should check to verify local building codes, ordinances, neighborhood covenants, or height restrictions regarding this type of structure.

Inspect for shipping damage, if there is damage to the pergola, refuse shipment at that time. DO NOT SIGN FOR THE SHIPMENT.

Helpful Tips

Dry fit parts before using adhesive. Take care to prevent adhesive from coming into contact with cosmetic surfaces. Use clean hands throughout the assembly process.

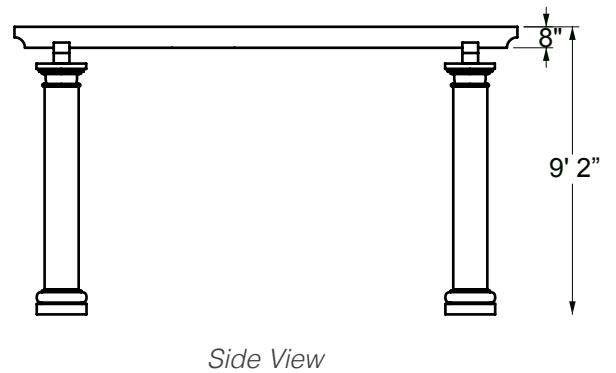
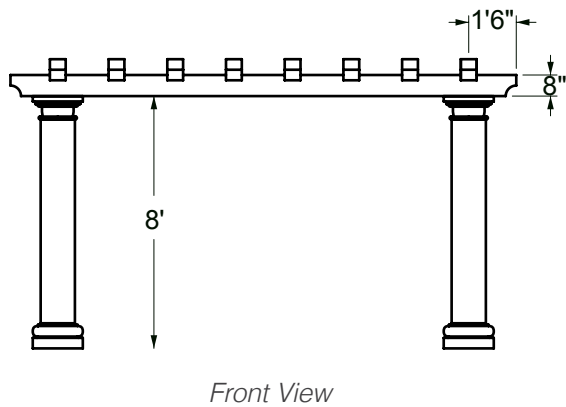
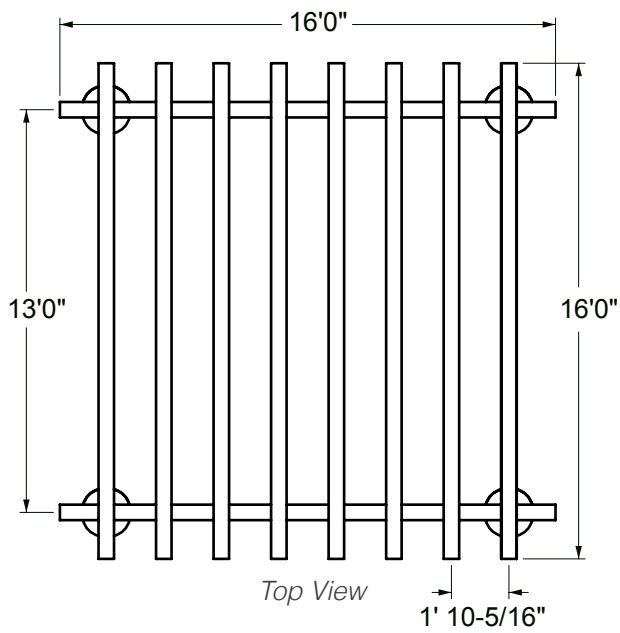
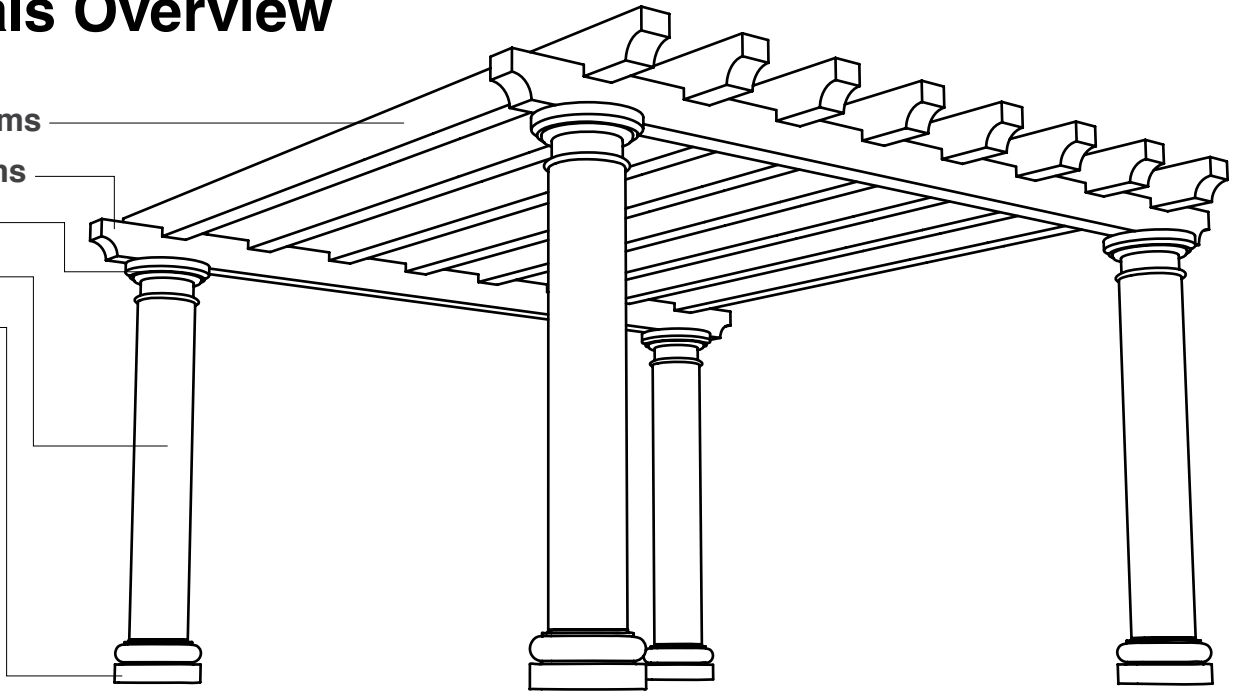
Total Weight - 1271 lbs. (including packaging)

Restriction of Use

This product is not designed to carry additional weight loads such as swings, people, or other objects.

Materials Overview

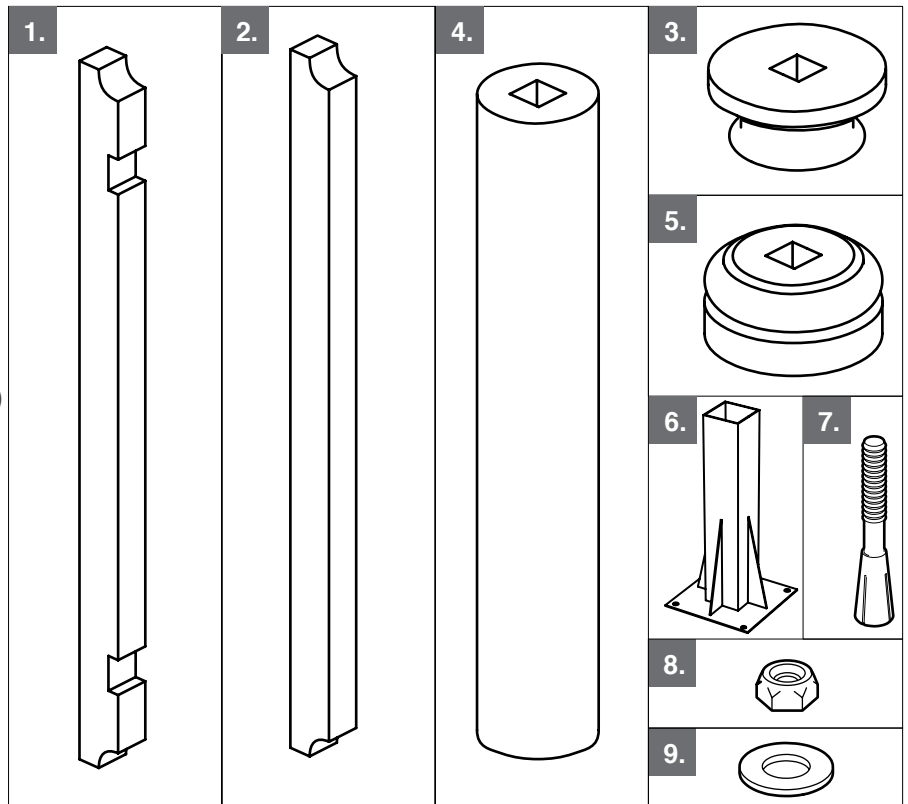
1. Cross Beams
2. Main Beams
3. Capital
4. Column
5. Base



Materials Breakdown

Please check your shipment for the following contents:

1. Cross Beams
6" X 8" X 16' / 64 lbs. (Qty. 8)
2. Main Beams
6" X 8" X 16' / 80 lbs. (Qty. 2)
3. Capital
1' 6" Diameter / 15 lbs. (Qty. 4)
4. Column
8' X 12" Diameter / 70 lbs. (Qty. 4)
5. Base
1' 6" Diameter / 12 lbs. (Qty. 4)
6. Concrete Bracket (Qty. 4)
7. Concrete Stud
5/8" x 3" (Qty. 16)
8. 5/8" Nut (Qty. 16)
9. 5/8" Washer (Qty. 16)



Drawing not to scale

Additional Tools & Materials (Not Included)

Step Ladder

Measuring Tape

Framing Level

Heavy Duty Liquid Nails LN-907

Caulking Gun

4" X 4" Pressure Treated Wood Post (4)

Wood Stakes (4) and string line for layout

Additional Tools Needed for Existing Concrete Pad Bracket Installation (Not Included)

Power Drill

5/8" Masonry Drill Bit

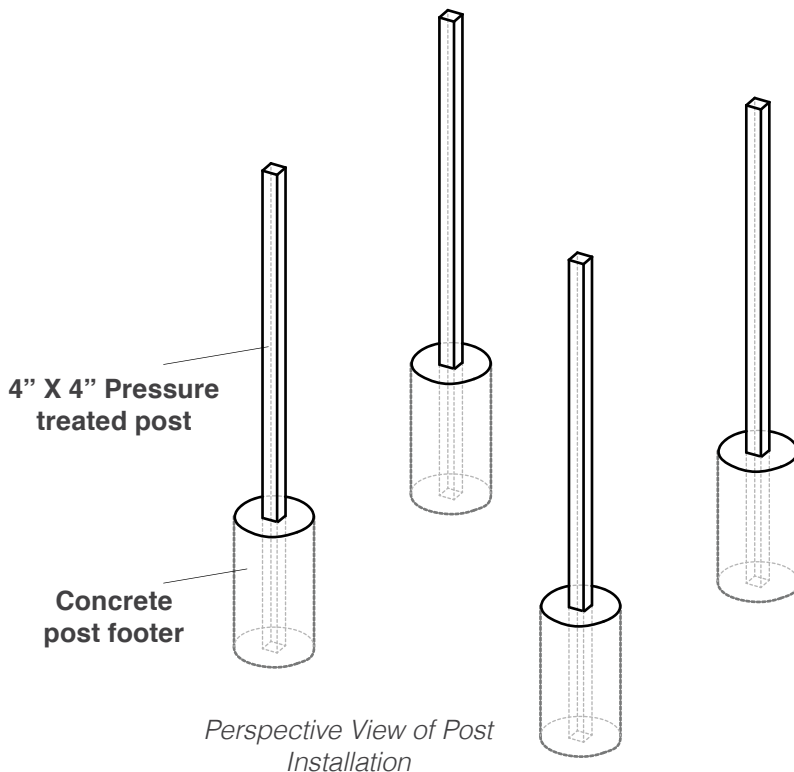
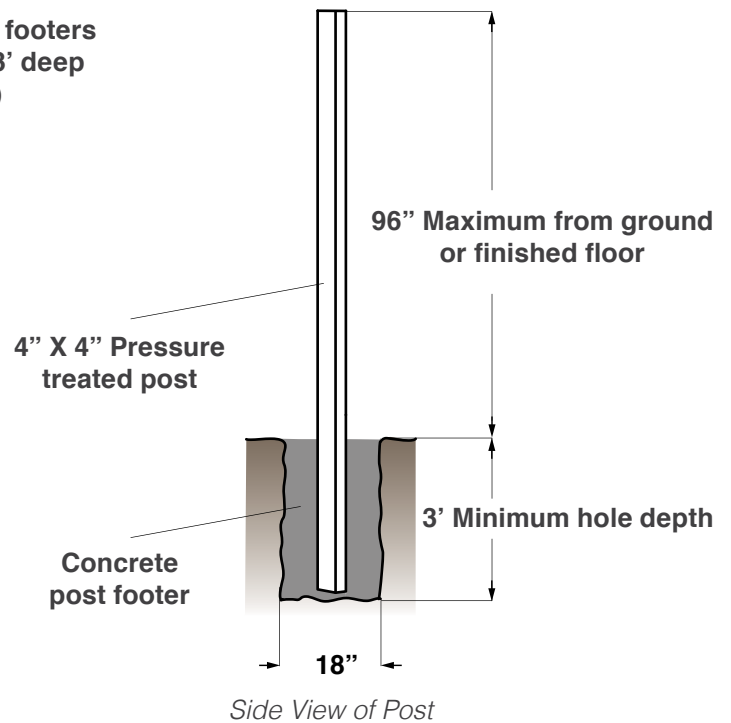
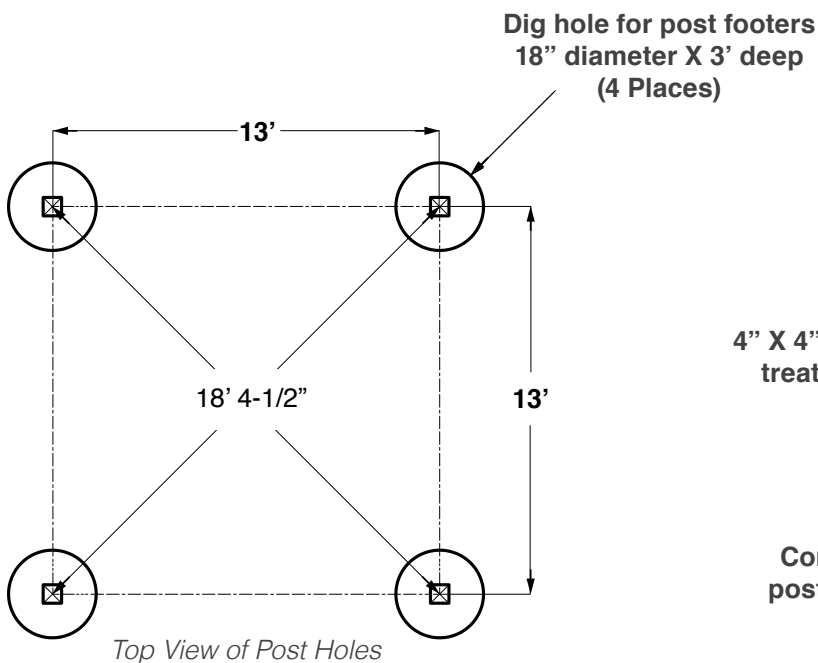
Additional Tools Needed if Not Using Concrete Brackets (Not Included)

Concrete Mix for Setting Post

Post Hole Digger/Shove

Wood Post Layout & Installation

Post hole location is critical. Check for underground utilities and sprinkler lines before digging. Measure and mark out the location of the pergola posts using string line and temporary wood stakes. Diagonal distances must be equal to ensure a square and proper installation. Use the layout below for placement of your post holes.



Tips:

Allow for thickness of flooring when measuring your post height.

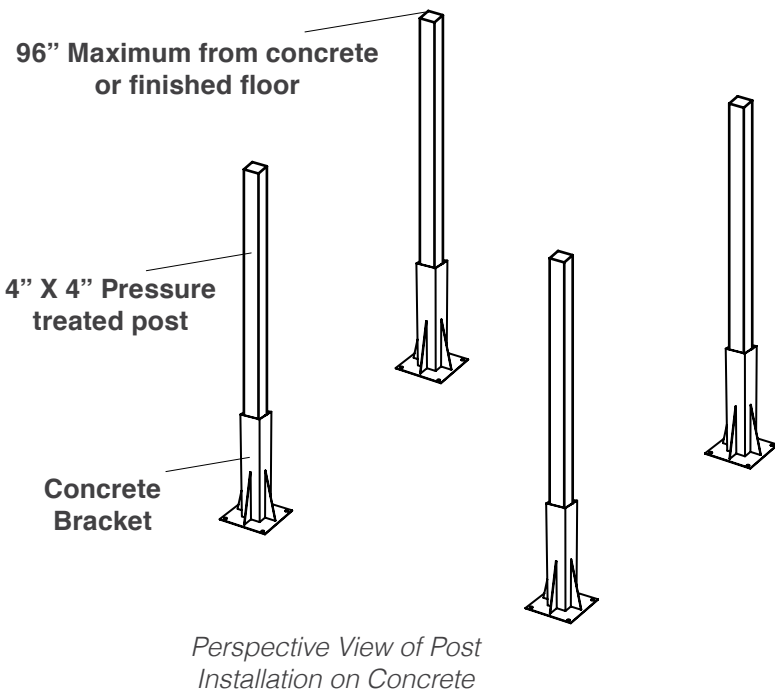
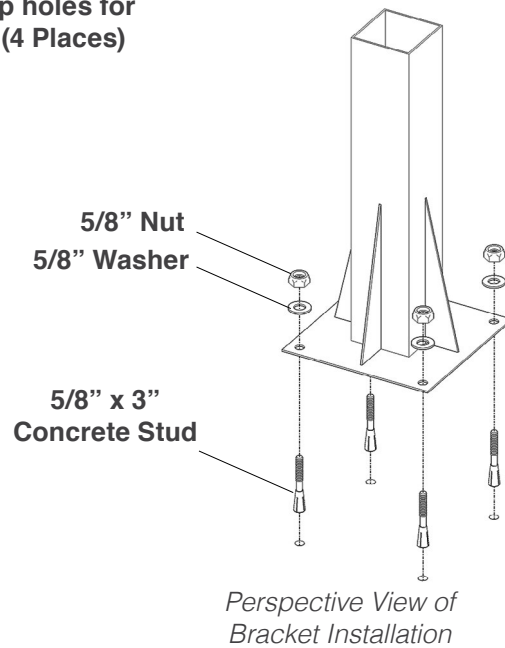
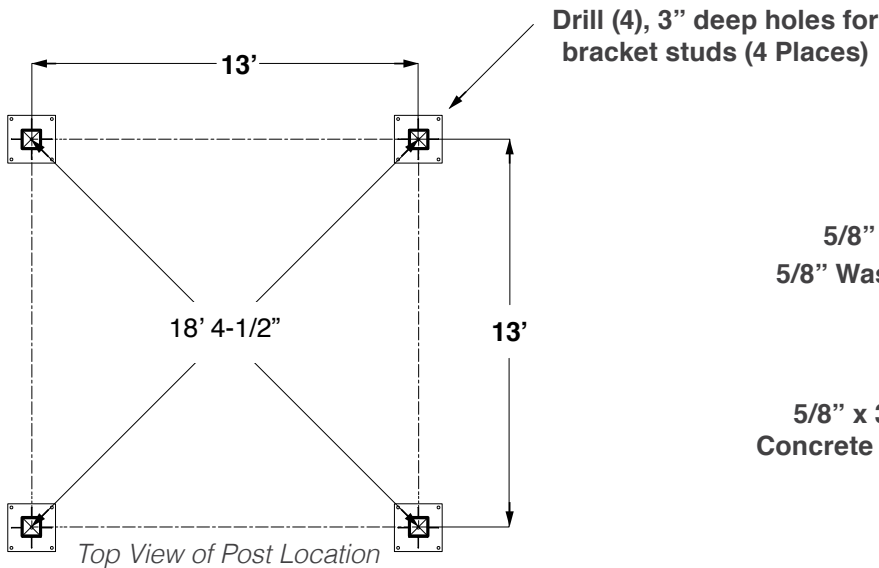
Use concrete or post mix to install posts.

Check to ensure posts are level before footers cure.

If the final post height is over 96" cut the posts down accordingly.

Wood Post Layout & Installation for Existing Concrete Pads

Identifying the location for your Wood Post installation is critical. Measure and mark out the location of the pergola posts using string line. Diagonal distances must be equal to ensure a square and proper installation. Place the concrete brackets in the center of each post location and using the bracket as a guide, drill (4), 5/8" diameter 3" deep holes into concrete. Insert the 3" stud, place the bracket over the bolt and tighten the nuts as pictured below. Once secured, insert the 4x4 post into the 4" tube. Use the layout below for placement of your post brackets.



Tips:

Allow for thickness of flooring when measuring your post height.

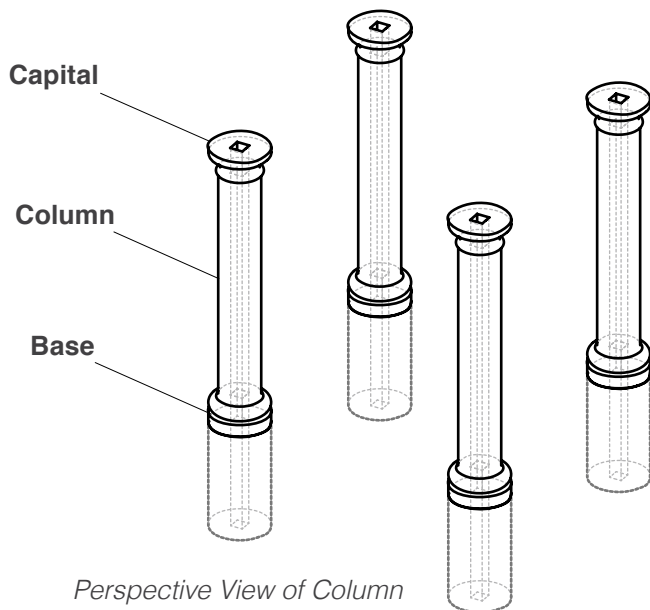
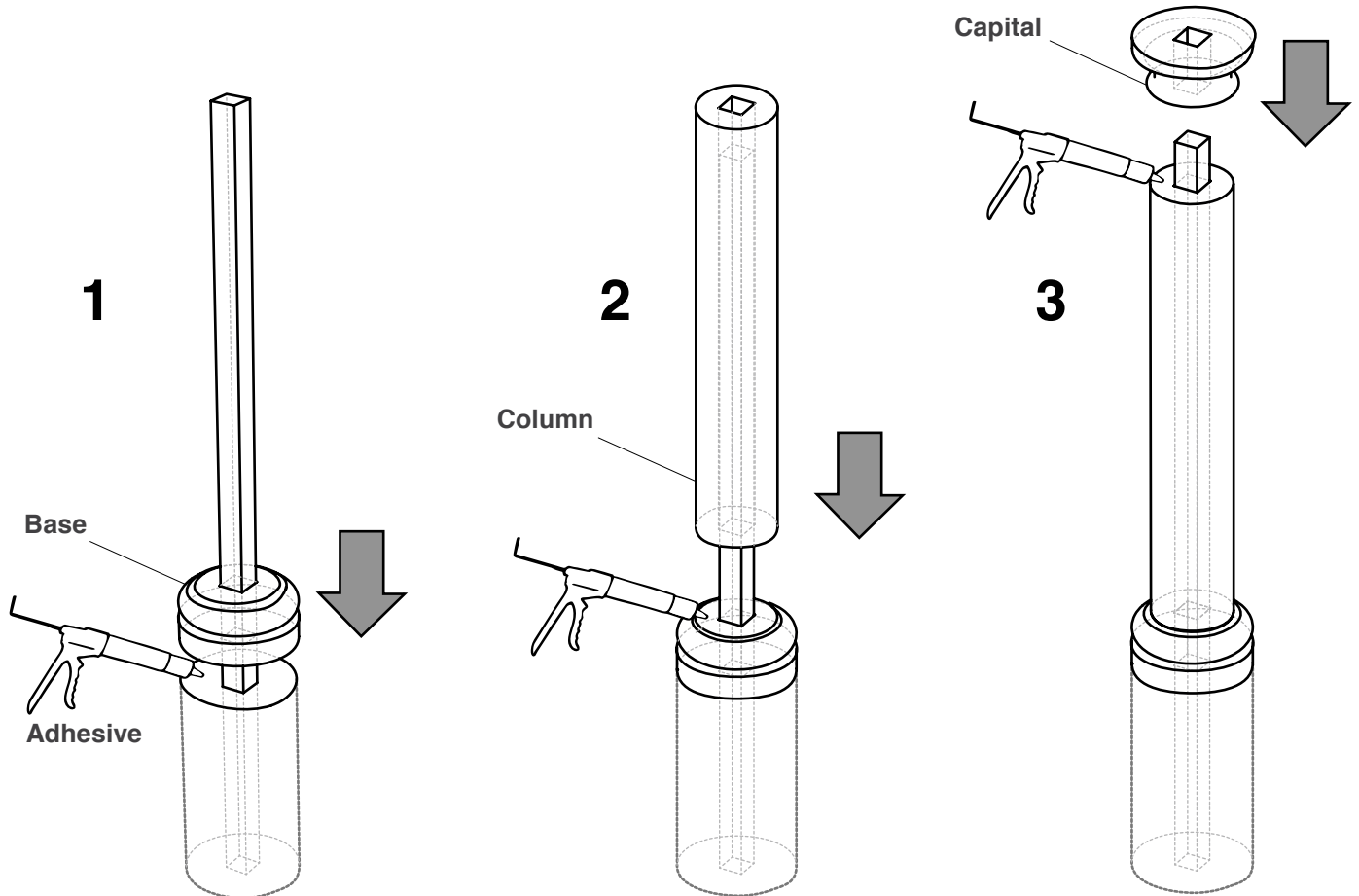
To install studs, screw on nut, hammer into concrete, then unscrew before placing bracket.

If the final post height is over 96" cut the posts down accordingly.

Check to ensure posts are level before installing pergola.

Column Assembly & Installation

Make sure your hands are clean before you begin. After posts have cured in the footers, dry fit the column parts by lowering them over the posts (if using the post brackets you will need to press the base firmly down so that it is flush with concrete.) After dry fitting, apply Heavy Duty Liquid Nails Adhesive between each column part.



Tips:

Keep protective wrapping on parts until final assembly.

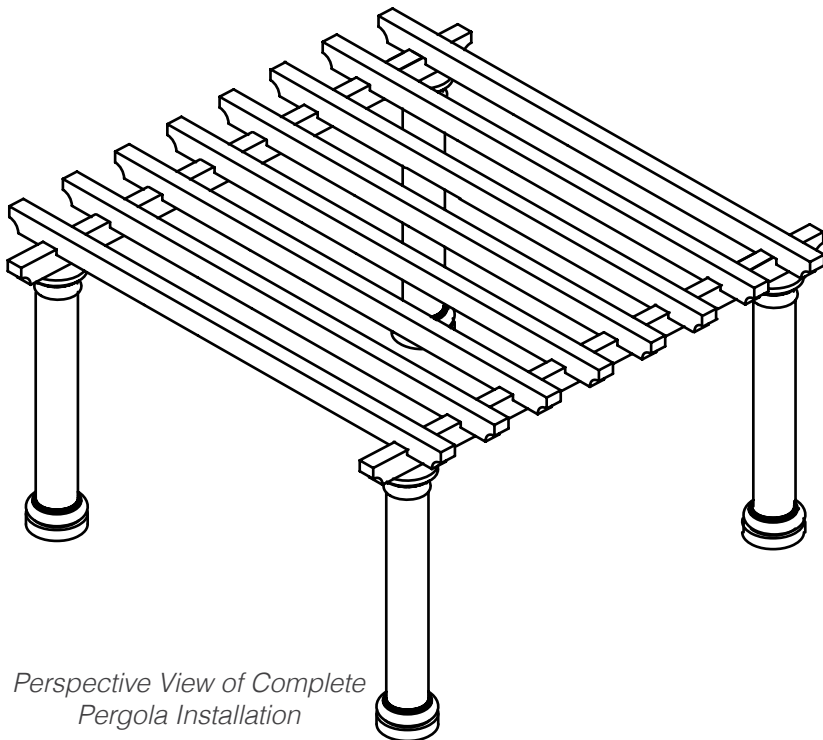
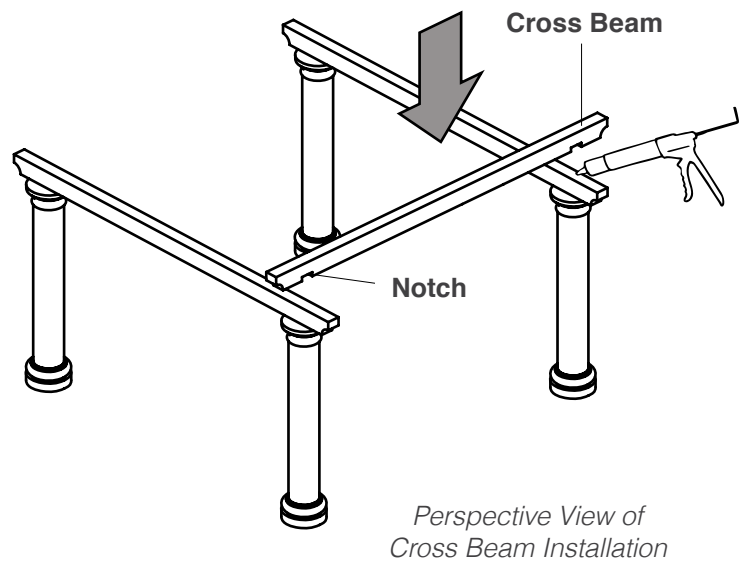
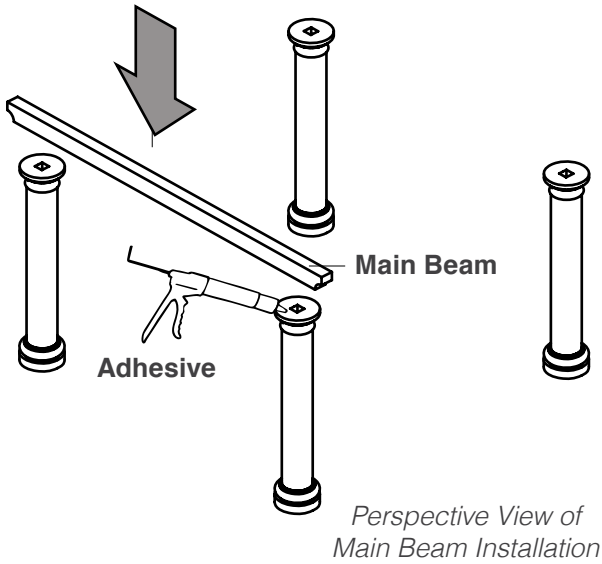
Use ample adhesive. Caulk might be necessary to fill in gap between base and concrete.

Avoid letting excess adhesive come in contact with cosmetic surfaces.

Ensure post is level with top of capital

Beam Installation

Dry fit the main beam and cross beam assembly on columns. Using the materials overview sheet for placement, center the two main beams over the capitals. Apply adhesive between main beams and capitals and around 4" x 4" post cutouts. Once main beams are in place install cross beams and apply adhesive at notches.



Tips:

Prevent water from entering into column by applying adhesive over the hole on top of the capital.

Allow for cure time of adhesive. See manufacturers label for details.



**Please read entire instruction manual thoroughly
prior to the construction of your pergola. If you have
any questions please contact our technical
department at Support@compstone.com.**